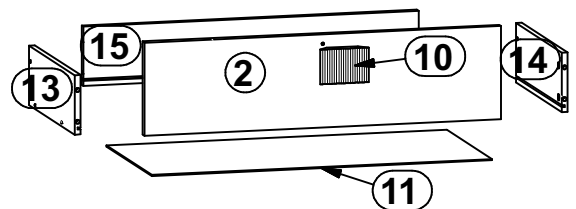
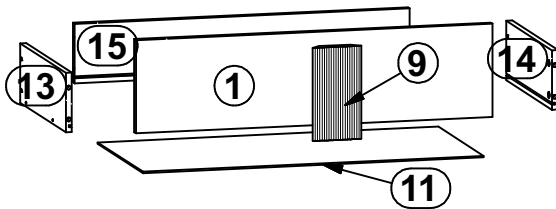
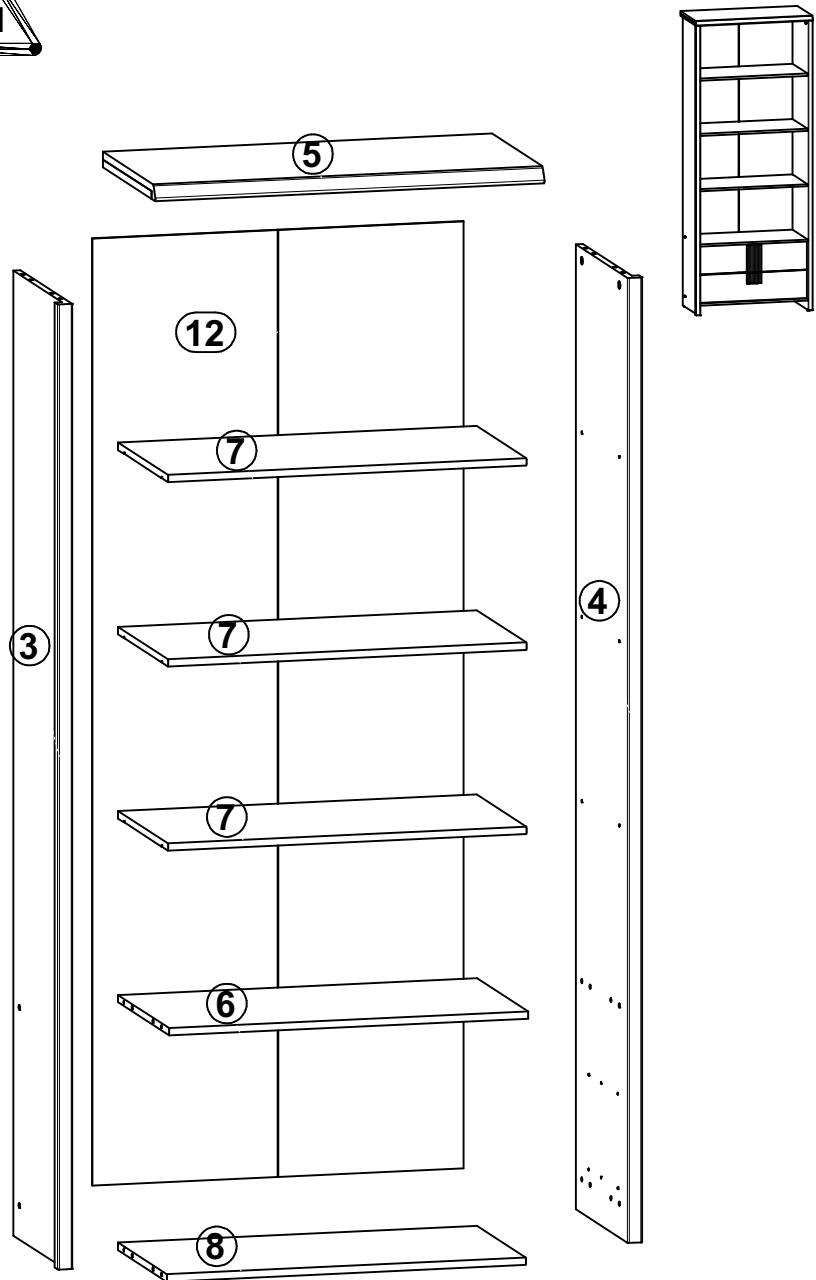
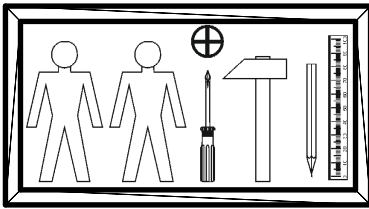


# CAPS

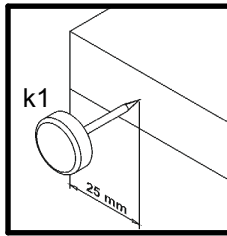
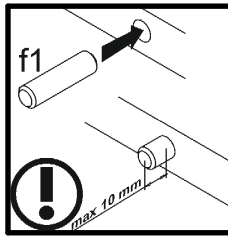
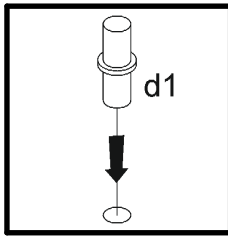
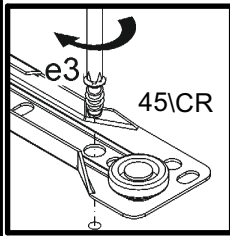
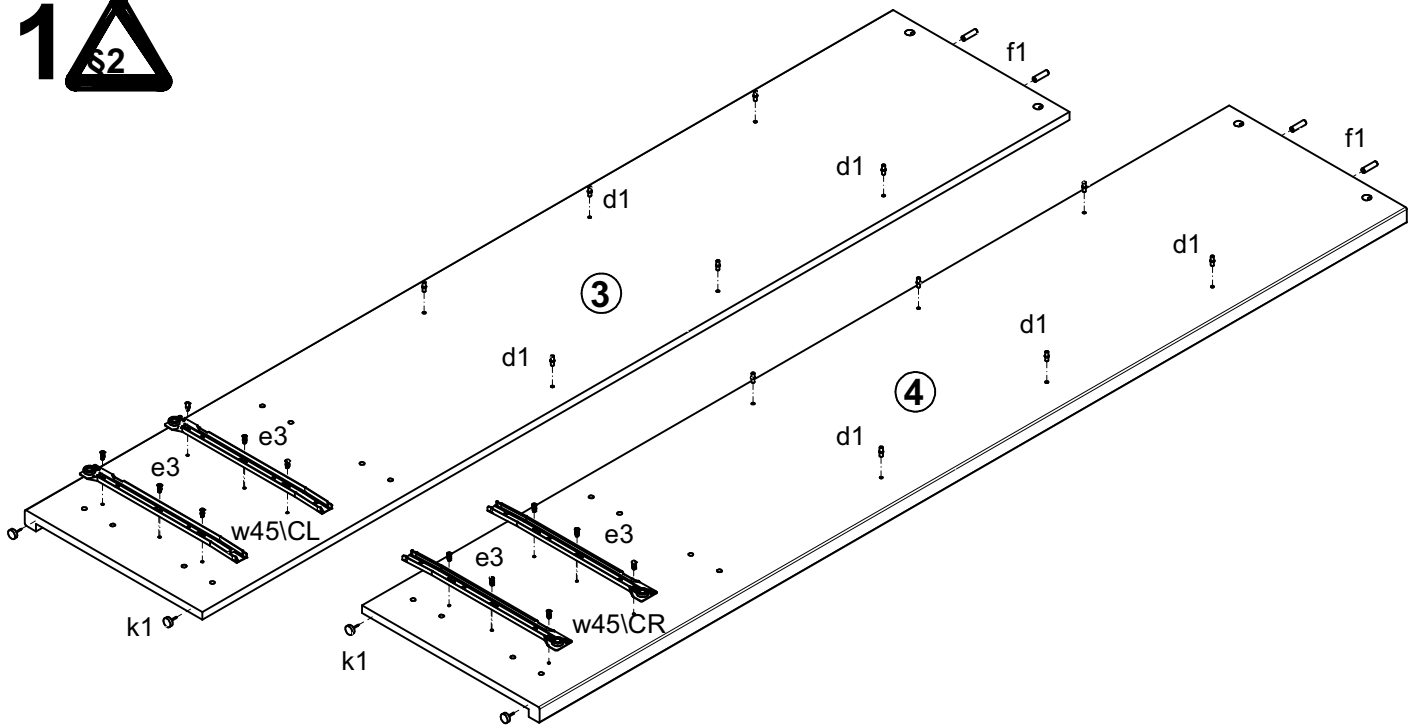
S153-REG2S/80

A	B	C	D	
1	S153-0001	733	188	1/3
2	S153-0002	733	188	1/3
3	S153-1103	1948	399	1/3
4	S153-1104	1948	399	1/3
5	S153-2201	804	403	2/3
6	S153-3303	738	395	2/3
7	S153-3304	737	384	2/3
8	S153-3305	738	376	1/3
9	S153-571	188	100	3/3
10	S153-572	70	100	3/3
11	S153-9902	700	348	2/3
12	S153-905	1912	763	1/3
13	ZS2-511	350	120	2/3
14	ZS2-512	350	120	2/3
15	ZS2-5583	689	120	2/3

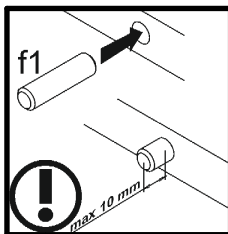
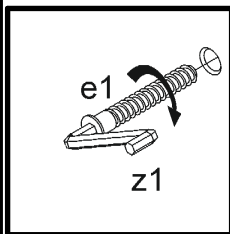
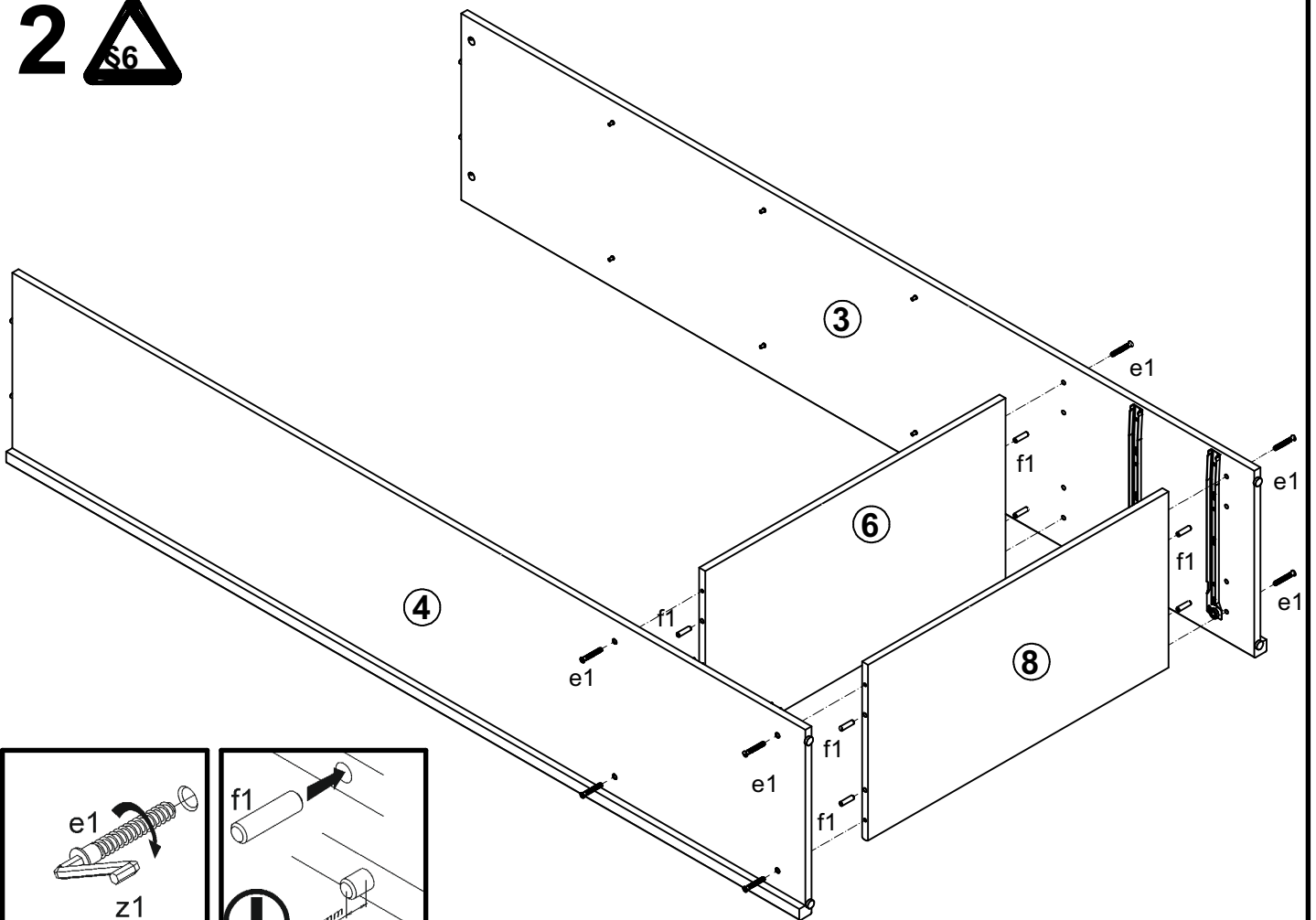


12x φ5x17 mm <b>d1</b>	8x φ7x50 mm <b>e1</b>	8x φ5x9 mm <b>e19</b>	12x φ6x13 mm <b>e3</b>	12x φ8x30 mm <b>f1</b>	8x φ6.5x40 mm <b>f25</b>	4x <b>k1</b>	65x <b>l1</b>	4x φ3.5x16 mm <b>p25</b>
4x φ4x22 mm <b>p60</b>	4x φ1.5x12mm #16 <b>r1</b>	8x φ12x10.5mm #12 <b>r15</b>	12x <b>r42</b>	2x 333 mm <b>t19</b>	2x 350 mm <b>w45\CL</b>	2x 350 mm <b>w45\CR</b>	2x 350 mm <b>w45\DL</b>	2x 350 mm <b>w45\DR</b>
1x <b>z1</b>	1x <b>n26\1</b>	1x φ3.5x16 mm <b>p38</b>	8x <b>s1</b>	4x ø16 <b>s2</b>				

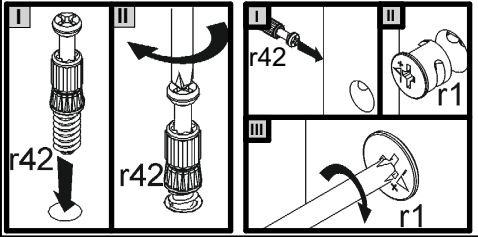
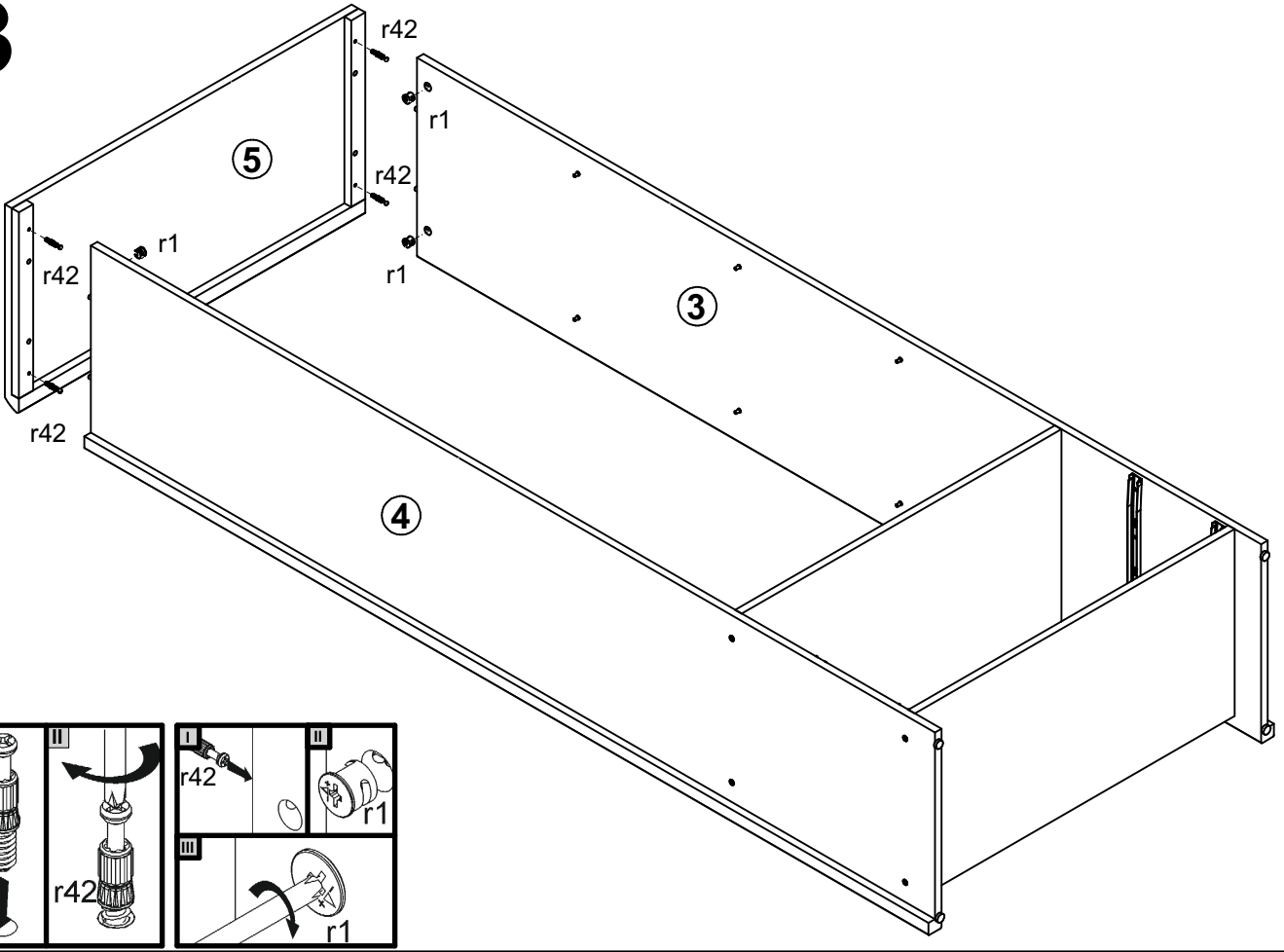
# 1



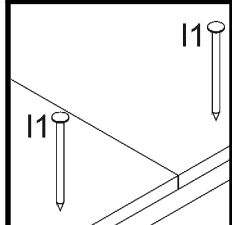
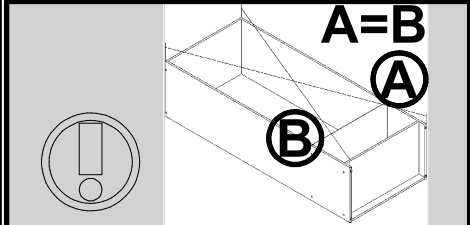
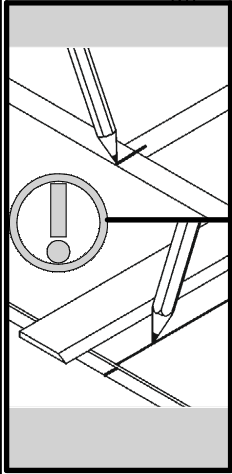
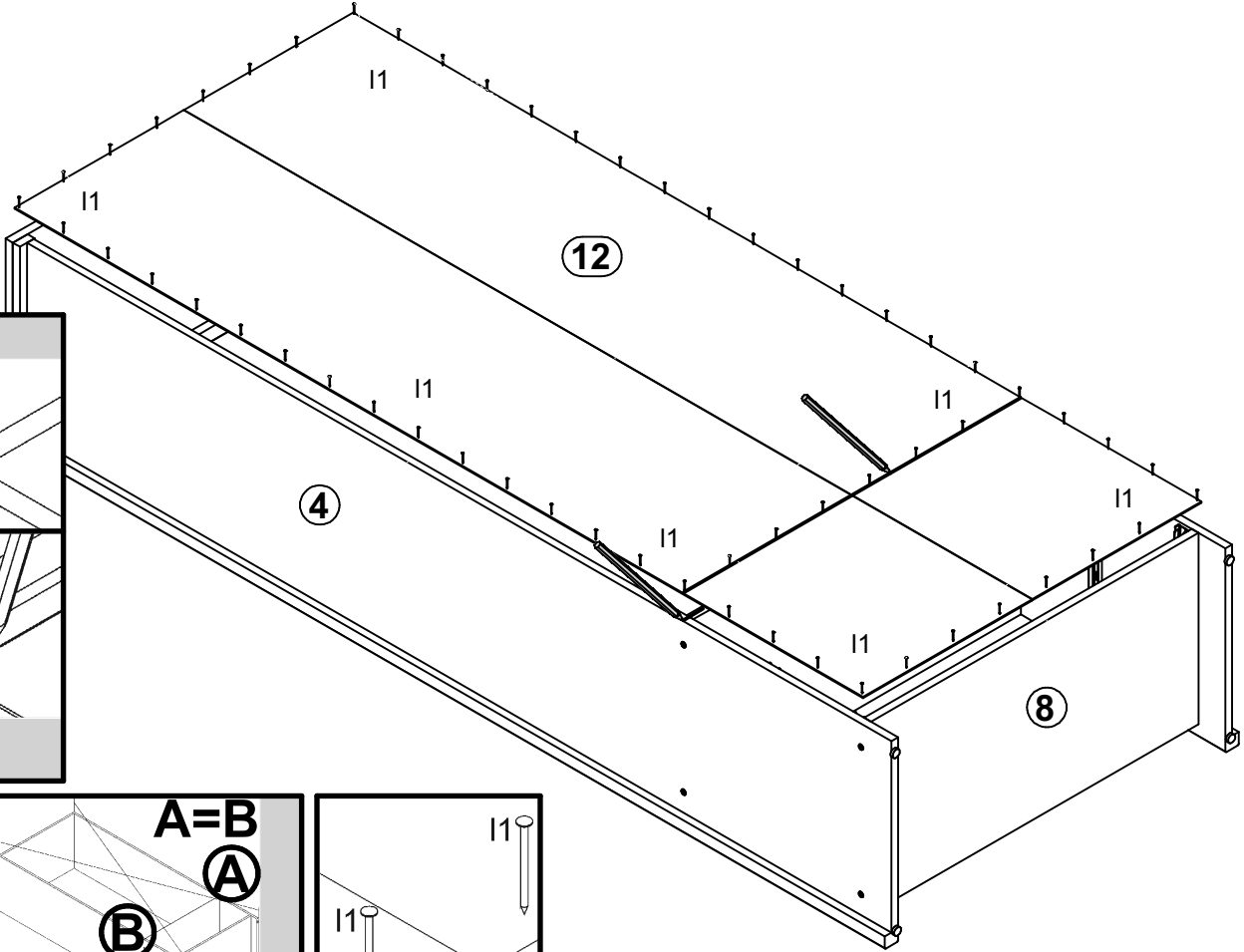
# 2



# 3

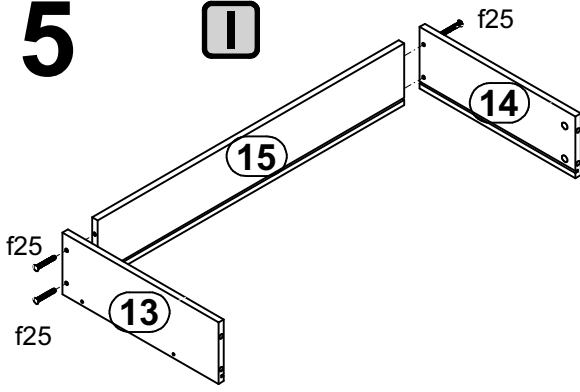


# 4

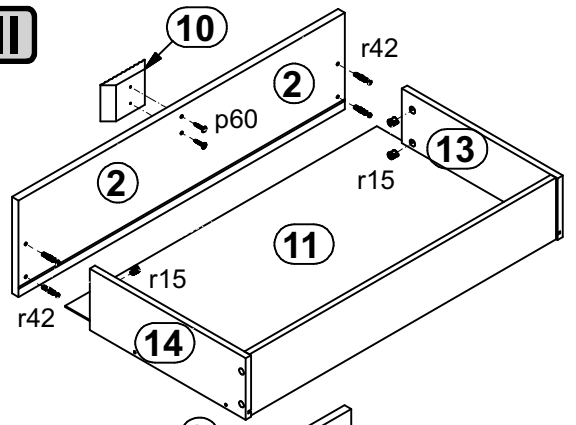


# 5

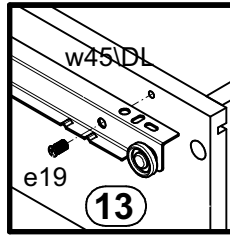
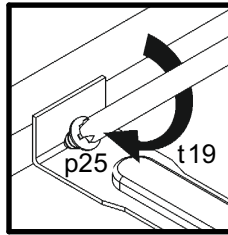
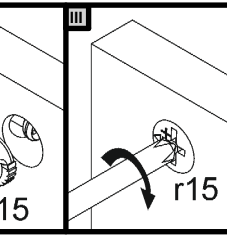
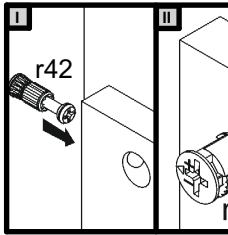
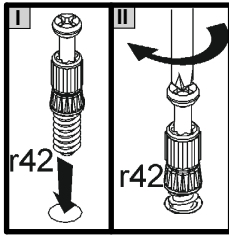
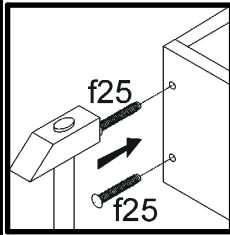
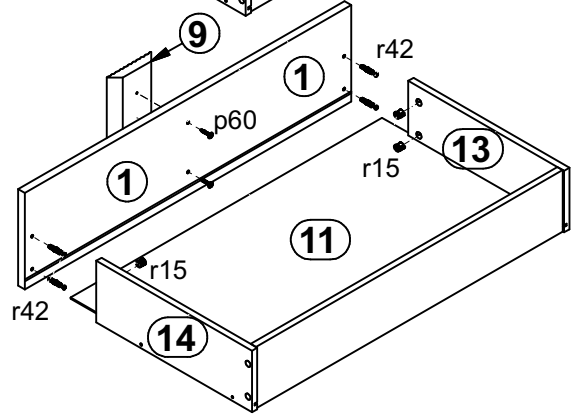
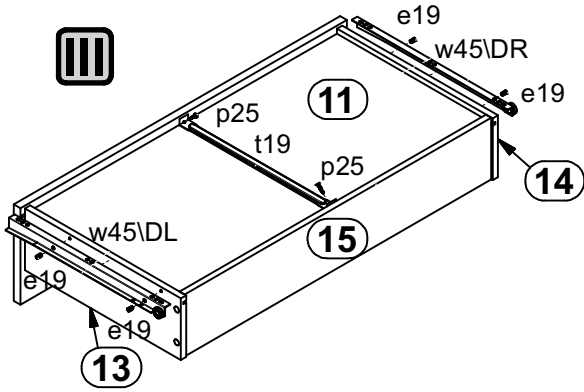
## I



## II



## III



# 6

